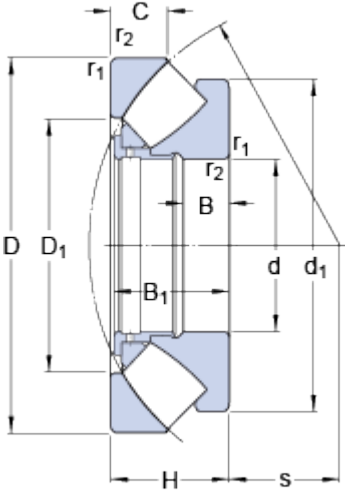


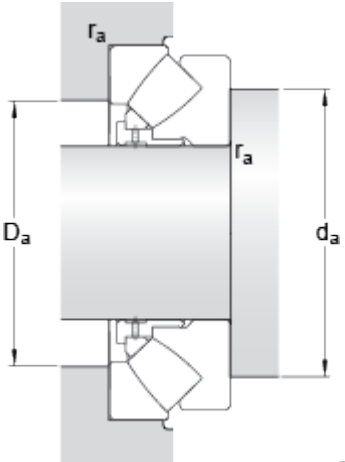
# 29288

## Dimensions



$d$	440	mm
$D$	600	mm
$H$	95	mm
$d_1$	≈ 585	mm
$D_1$	≈ 508	mm
$B$	30	mm
$B_1$	91	mm
$C$	46.5	mm
$s$	235	mm
$r_{1,2}$	min. 5	mm

## Abutment dimensions



$d_a$	min. 520	mm
$D_a$	max. 545	mm
$r_a$	max. 4	mm

## Calculation data

Basic dynamic load rating	$C$	2070	kN
Basic static load rating	$C_0$	10400	kN
Fatigue load limit	$P_u$	850	kN
Reference speed		630	r/min
Limiting speed		1000	r/min
Minimum axial load factor	$A$	10	

## Mass

Mass bearing		78	kg
--------------	--	----	----